



16 TON MOBILE TRUCK CRANE · DONGFENG ·

CODE JNJQCCD16A
SPECIFICATION
DONGFENG

Cooperation

Win-Win

Innovation

Development

More models

JNJQQCD16A

Product details



Cab

Multi-function steering wheel, original PTO, air conditioning + electric doors and windows + central locking, electric heated rearview mirrors.
Air brake, cruise control, complete interiors.



Lifting Boom

Customizable 8.5m x 6 sections (red arm optional).Single hook single winch, double hook double winch.



Operator Room

High safety, wide field of vision, easy to operate, ergonomically designed control system in crane cab. Strong environmental adaptability and additional equipment are optional.



Outrigger

Standard rear outriggers, thickened and double-section outriggers.

JQCM

16 TON DONGFENG CHASSIS

HYDRAULIC TELESCOPIC STRAIGHT BOOM

Optional Boom: 8.5m-42.5m, 5sections

OPERATION CONTROL ROOM

REAR TELESCOPIC OUTRIGGER

UNILATERAL 1.1M X 2SECTION OUTRIGGER

JACK OUTRIGGER JOYSTICK

16TON

FRONT

LEFT

RIGHT

BACK



JQCM

TECHNICAL DATA

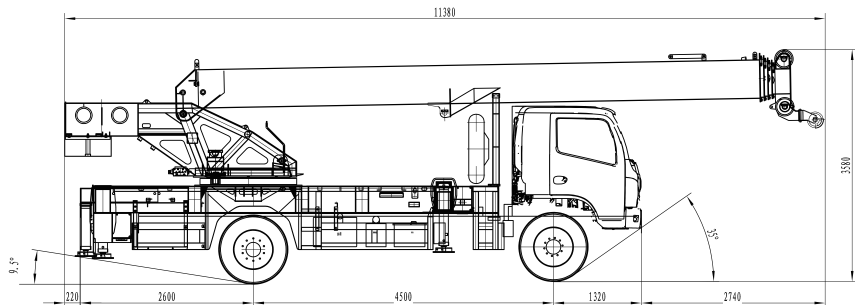
GENERAL DIMENSIONS

16 Ton Dongfeng Hydraulic Mobile Truck Crane

Full car size	11380*2500*3580mm
Wheelbase	4500mm
Large frame size	400*200mm

MAIN PARAMETERS

Engine model	Yuchai
Engine power	147kw(200horsepower)
Gearbox model	Fast 8-speed transmission
Tires	1000-R16
Braking system	Air brake (ABS)



TECHNICAL PARAMETERS

Rated lifting weight	18000kg
Maximum lifting height	38m
Main lifting mechanism	16 ton winch
Sub-lifting mechanism	12 ton winch
Lifting operation mode	Push lever operation
Radius of rotation	2.83m
Slewing bearing	1.45m turntable
Rear displacement top	Standard
Oil and electric dual-use	15kw-6pole copper core motor
Protection device	Bidirectional hydraulic lock
Work lamp	Two

Boom

Boom structure type	8.5m*5sections
Total length of boom	42m
Boom flat lying distance	26m(1 ton)
Rod-out form	Synchronous scaling

Hydraulic system

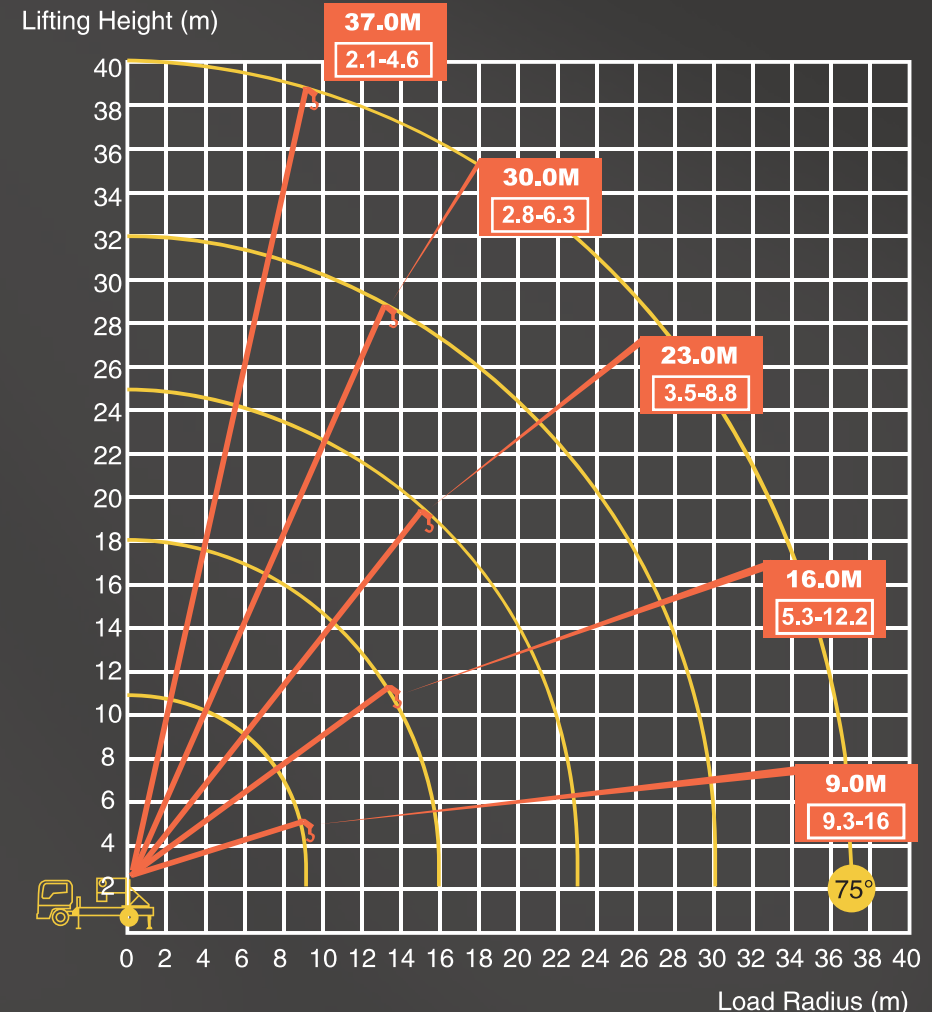
Hydraulic pump	Three pumps
Steering mechanism	Hydraulic direction assist
Slewing mechanism	Secondary planetary steering

Outrigger

Outrigger	5 full hydraulic legs
Outrigger transverse span	6900mm
Outrigger longitudinal span	5500mm
Outrigger telescopic length	2.2m

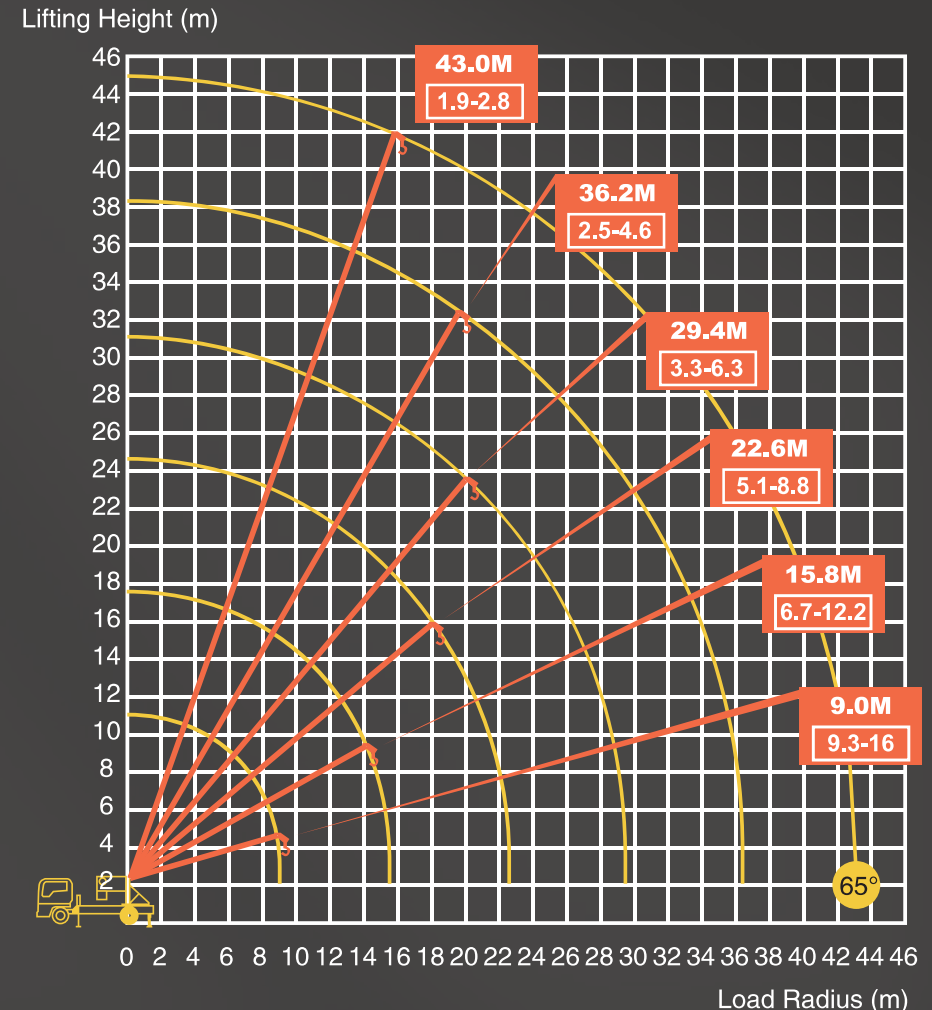
RATED LIFTING CAPACITY & WORKING RANGE

RATED LIFTING CAPACITY (Unit: ton) Working radius (m)	RATED LIFTING CAPACITY WEIGHT				
	9.0m 1 Boom	16.0m 2 Boom	23.0m 3 Boom	30.0m 4 Boom	37.0m 5 Boom
3.5	*16				
4.0	*14				
4.5	*12.5	*12.2			
5.0	*11.2	*10.9			
6.0	*9.3	9.0	8.8		
7.0		7.7	7.5		
8.0		6.7	6.5	6.3	
9.0		5.9	5.7	5.5	
10.0		5.3	5.1	4.9	4.6
12.0			4.2	4.4	3.7
14.0			3.5	3.3	3.0
15.0				3	2.7
16.0				2.8	2.5
17.0					2.3
18.0					2.1
Factor	(*) is a factor of 6 ; the rest is a factor of 4.				
Notes:	1. The rated lifting capacity includes the weight of the hook (50kg) and the sling, and the outriggers must be supported on flat and solid ground. 2. The lifting capacity is determined by the actual load radius. 3. When the boom length is between any two boom lengths shown in the diagram, the longer one should be used for lifting. 4. When the boom length exceeds 6m, the outriggers must be fully extended. 5. This diagram does not include the deflection of the Boom and Fly jib.				



RATED LIFTING CAPACITY & WORKING RANGE

RATED LIFTING CAPACITY (Unit: ton) Working radius (m)	RATED LIFTING CAPACITY WEIGHT					
	9.0m 1 Boom	15.8m 2 Boom	22.6m 3 Boom	29.4m 4 Boom	36.2m 5 Boom	43.0m 6 Boom
3.5	*16					
4.0	*14					
4.5	*12.5	*12.2				
5.0	*1.12	*10.9				
6.0	*9.3	*9.0	8.8			
7.0		7.7	7.5			
8.0		6.7	6.5	6.3		
9.0			5.7	5.5		
10.0			5.1	4.9	4.6	
12.0				4.4	3.7	
14.0				3.3	3.0	2.8
15.0					2.7	2.5
16.0					2.5	2.3
17.0						2.1
18.0						1.9
Factor	(*) is a factor of 6 ; the rest is a factor of 4.					
Notes:	1. The rated lifting capacity includes the weight of the hook (50kg) and the sling, and the outriggers must be supported on flat and solid ground. 2. The lifting capacity is determined by the actual load radius. 3. When the boom length is between any two boom lengths shown in the diagram, the longer one should be used for lifting. 4. When the boom length exceeds 6m, the outriggers must be fully extended. 5. This diagram does not include the deflection of the Boom and Fly jib.					





whatsapp

Jining Jiaqing Special Vehicle (Group) Co., Ltd.

Add: No. 631, Jiliang Road, Changgou Town, Rengcheng district, Jining City, Shandong Province

Tell: +86 185 6172 8600

Web: www.jiningjiaqing.com

