

5 TON MOBILE TRUCK CRANE · DONGFENG ·



DONGFENG
SPECIFICATION

CODE

JNJQCD5B

Cooperation

Win-Win

Innovation

Development

More models

MOBILE TRUCK CRANE // HOMEMADE TRUCK CRANE // TRUCK MOUNTED CRANE // MULTIFUNCTION WORK VEHICLE // AERIAL WORK VEHICLE

JNJQQCD5B

Product details



Cab

Multi-function steering wheel, original PTO, air conditioning + electric doors and windows + central locking, electric heated rearview mirrors.
Air brake, cruise control, complete interiors.



Lifting Boom

Customizable 5m × 5 sections, 5m × 6 sections, 5m × 7 sections, 5m × 7 sections (red arm optional) . Single hook single winch, double hook double winch.



Operator Room

High safety, wide field of vision, easy to operate, ergonomically designed control system in crane cab. Strong environmental adaptability and additional equipment are optional.



Outrigger

The heavy frame can be extended and retracted. thicker legs and heavy-duty configuration are optional. The rear frame can be extended and retracted.

JQCM

5 TON DONGFENG CHASSIS

HYDRAULIC TELESCOPIC STRAIGHT BOOM (7 SECTIONS)

Optional Boom: 5m-22m, 5sections
5m-26m, 6sections
5m-30m, 7sections

OPERATION CONTROL ROOM

REAR TELESCOPIC OUTRIGGER

JACK OUTRIGGER JOYSTICK

UNILATERAL 1M X 2SECTION OUTRIGGER



5 TON

FRONT

LEFT

RIGHT

BACK



TECHNICAL DATA

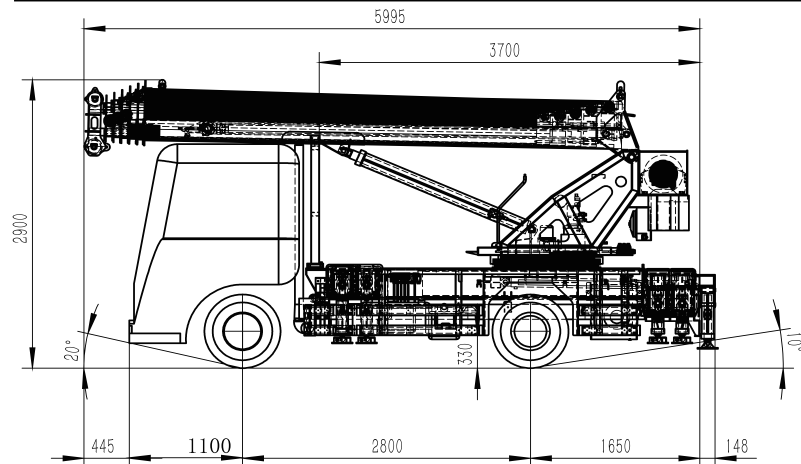
GENERAL DIMENSIONS

5 Ton Mini Dongfeng Hydraulic Mobile Truck Crane

Full car size	5995*1950*2750mm
Wheelbase	2700mm
Large frame size	300*150mm

MAIN PARAMETERS

Engine model	Full diesel
Engine power	97kw(132horsepower)
Gearbox model	Wanliyang 5-speed gearbox
Tires	650-R16
Braking system	Air brake (ABS)



TECHNICAL PARAMETERS

Rated lifting weight	5000kg
Maximum lifting height	28m
Main lifting mechanism	8 ton winch
Lifting operation mode	Push lever operation
Radius of rotation	1.7m
Swing speed	0-3rpm
Slewing bearing	1050mm turntable
Rear displacement top	There are
Protection device	Bidirectional hydraulic lock
Work lamp	Two

Boom

Boom structure type	5m*7sections
Total length of boom	35m

Hydraulic system

Hydraulic pump	Single pump (40#)
Steering mechanism	Power steering (assist)
Slewing mechanism	Vertical type (with balancing valve)
Reducer model	Planetary reducer

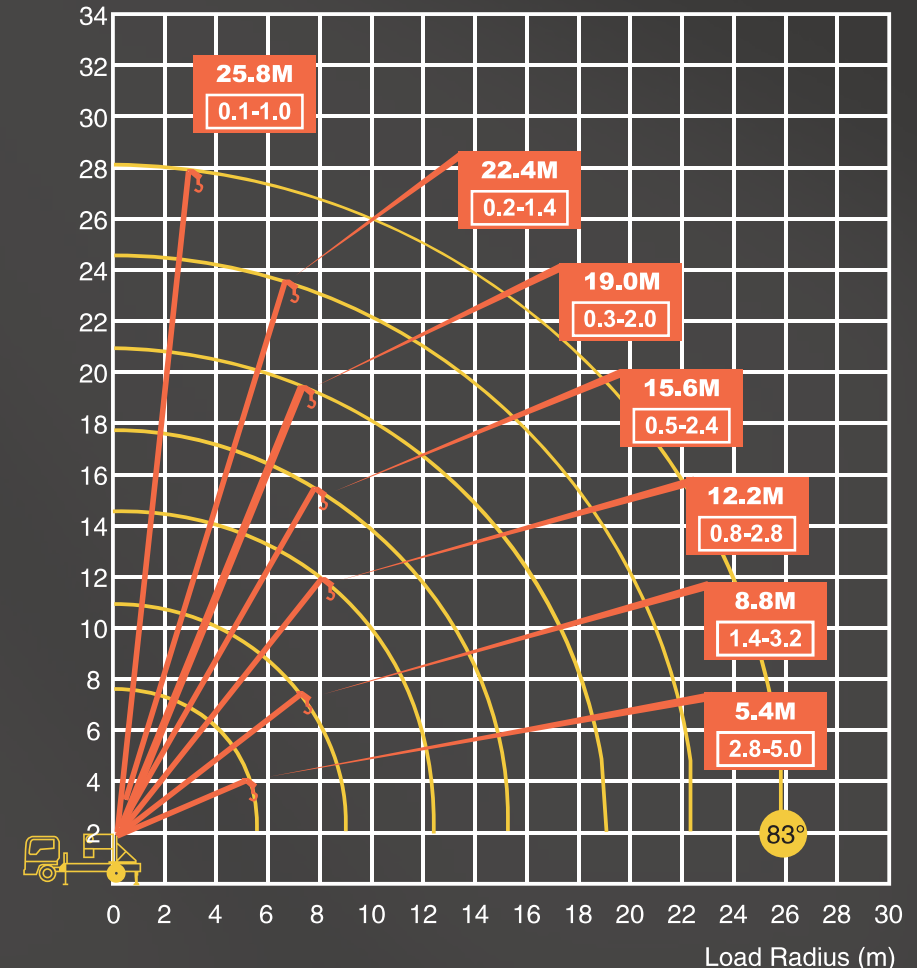
Outrigger

Outrigger	5 full hydraulic legs
Outrigger transverse span	5900mm
Outrigger longitudinal span	3400mm
Outrigger telescopic length	2m

RATED LIFTING CAPACITY & WORKING RANGE

RATED LIFTING CAPACITY (Unit: ton) Working radius (m)	SR-700L RATED LIFTING CAPACITY						
	5.4m 1 Boom	8.8m 2 Boom	12.2m 3 Boom	15.6m 4 Boom	19.0m 5 Boom	22.4m 6 Boom	25.8m 7 Boom
3.0	*5.0						
3.5	*4.2	*3.2					
4.0	*3.75	*3.0	*2.8				
4.5	*3.0	*2.8	*2.6	*2.4			
5.0	*2.8	*2.6	*2.4	*2.2	2.0		
6.0		*2.3	*2.1	1.9	1.7	1.4	
7.0		1.9	1.7	1.5	1.3	1.1	1.0
8.0		1.6	1.4	1.2	1.0	0.9	0.8
9.0		1.4	1.2	1.0	0.8	0.7	0.6
10.0			1.0	0.8	0.6	0.55	0.45
12.0			0.8	0.6	0.4	0.45	0.4
14.0				0.5	0.4	0.35	0.3
16.0					0.3	0.25	0.2
17.0						0.2	0.15
18.0							0.1
Factor	(*) is a factor of 4 ; the rest is a factor of 2.						
Notes:	<ol style="list-style-type: none"> The rated lifting capacity includes the weight of the hook (50kg) and the sling, and the outriggers must be supported on flat and solid ground. The lifting capacity is determined by the actual load radius. When the boom length is between any two boom lengths shown in the diagram, the longer one should be used for lifting. When the boom length exceeds 6m, the outriggers must be fully extended. This diagram does not include the deflection of the Boom and Fly jib. 						

Lifting Height (m)





whatsapp

Jining Jiaqing Special Vehicle (Group) Co., Ltd.

Add: No. 631, Jiliang Road, Changgou Town, Rengcheng district, Jining City, Shandong Province

Tell: +86 185 6172 8600

Web: www.jiningjiaqing.com

