

3.2 TON TRUCK MOUNTED CRANE · FAW JIEFANG



CODE

JNJQSCD3.2A

Cooperation

Win-Win

Innovation

Development

More models

MOBILE TRUCK CRANE // HOMEMADE TRUCK CRANE // TRUCK MOUNTED CRANE // MULTIFUNCTION WORK VEHICLE // AERIAL WORK VEHICLE

JNJQSCD3.2A

Product details



Cab

Multi-function steering wheel, original PTO, air conditioning + electric doors and windows + central locking, electric heated rearview mirrors.

Air brake, cruise control, complete interiors.



Lifting Boom

By wireless over-hoisting prevention device, it can prevent damage and breakdown of wire and real



Operating Station

Optimally & ergonomically designed top seat console guarantees all day comfort to operator



Outrigger

180° slewing type of main jack outriggers help protect against damage during the drive.

JQCM

3.2 TON FAW JIEFANG CHASSIS

OPERATION CONTROL STATION

360° ROTARY CRANE

HYDRAULIC TELESCOPIC STRAIGHT BOOM

WORKING PLATFORM

UNILATERAL 2M X 1SECTION OUTRIGGER

TRUCK BED

THICKENED WEAR-RESISTANT TIRES

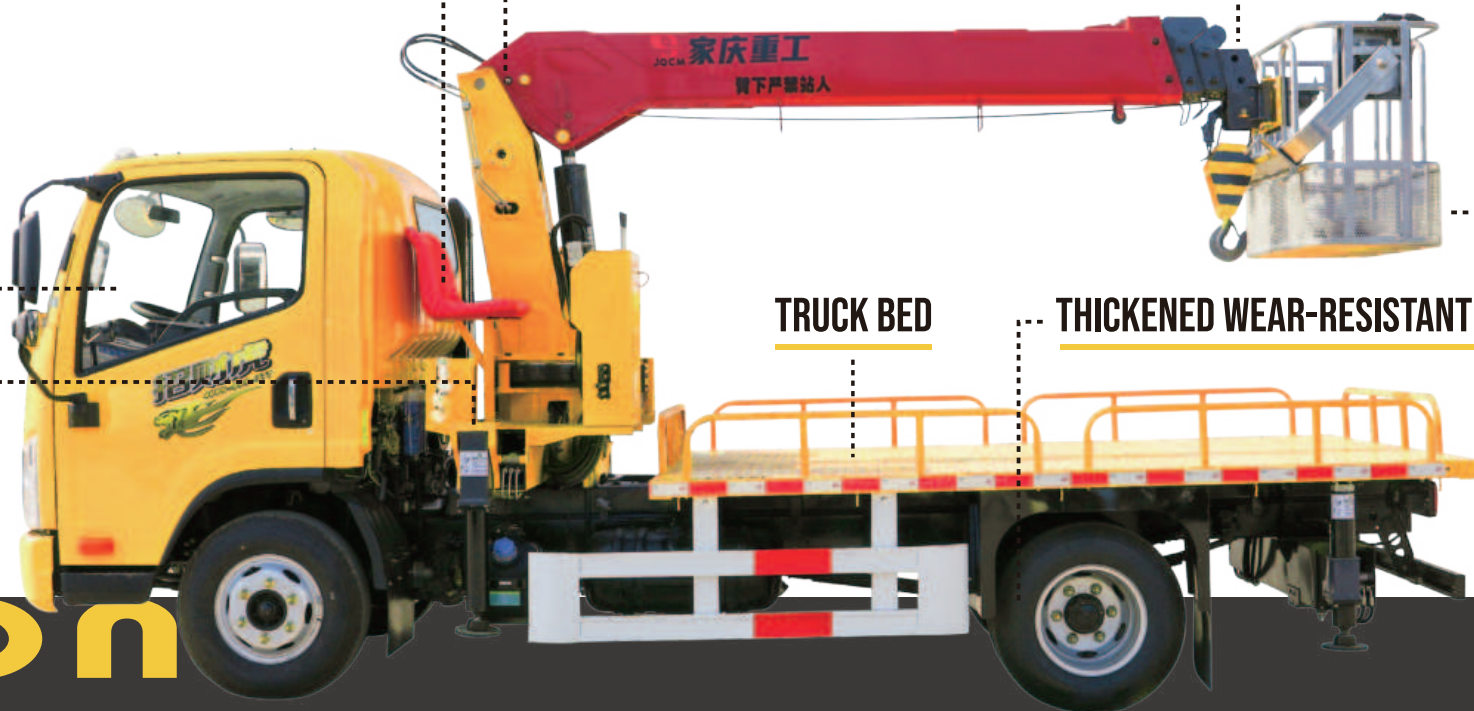
3.2 TON

FRONT

LEFT

RIGHT

BACK



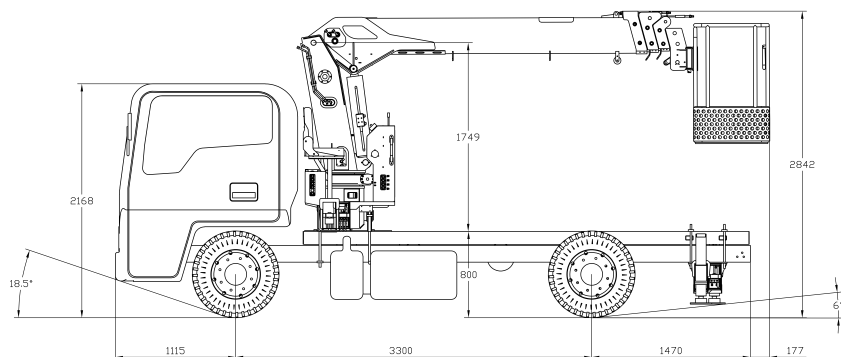
JQCM

TECHNICAL DATA

MAIN PARAMETERS

3.2 Ton FAW Jiefang Hydraulic Truck Mounted Crane

Overall dimensions	5995*2200*2950mm
Truck bed dimensions	3300*2200mm
Wheelbase	3300mm
Max. weight (full load)	4495kg
Truck mounted crane weight	4300kg



CHASSIS

Chassis model	FAW
Gearbox model	Wanliyang 6-speed transmission
Engine Brand	Yunnei
Engine power	140hp/103kw
Operation mode	Dual control
Slewing structure dimensions	14 inch
Max. speed	95km/h
Front/Rear suspension	1115/1580mm
Approch/Departure angle	20°/15°
Rear axle	Press-welding axle
Fuel tank capacity	70L
Tyre	700R16LT 8PR
Pump	Single pump

LIFTING & SLEWING SYSTEM

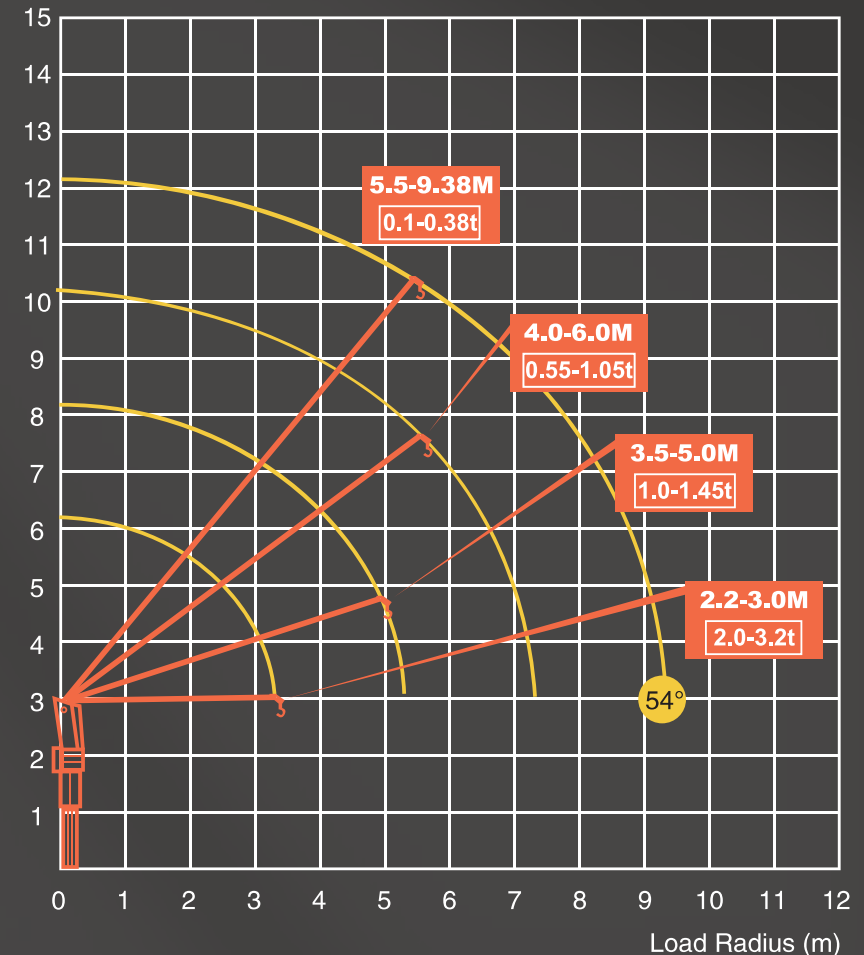
Max. lifting weight	3200kg
Max. lifting height	11.5m
Max. elevation angle	75°
Boom	3m x 4 sections
Boom slewing angle	360°
Max. working height	12.5m
Working platform dimensions	1500*700*1100mm
Platform slewing range	±180°

RATED LIFTING CAPACITY & WORKING RANGE

RATED LIFTING CAPACITY (Unit: ton) Working radius (m)	RATED LIFTING CAPACITY(ton)			
	3.38m	5.38m	7.38m	9.38m
2.2	3.2			
2.5	3.0			
3.0	2.0			
3.5		1.45		
4.0		1.3	1.05	
4.5		1.15	0.98	
5.0		1.0	0.76	
5.5			0.62	0.38
6.0			0.55	0.32
6.5				0.26
7.0				0.22
8.0				0.19
9.0				0.12
9.38				0.1 (9.38)

- Notes:**
1. The rated lifting capacity includes the weight of the hook (45kg) and the sling, and the outriggers must be supported on flat and solid ground.
 2. The lifting capacity is determined by the actual load radius.
 3. When the boom length is between any two boom lengths shown in the diagram, the longer one should be used for lifting.
 4. When the boom length exceeds 6m, the outriggers must be fully extended.
 5. This diagram does not include the deflection of the Boom and Fly jib.

Lifting Height (m)





whatsapp

Jining Jiaqing Special Vehicle (Group) Co., Ltd.

Add: No. 631, Jiliang Road, Changgou Town, Rencheng district, Jining City, Shandong Province

Tell: +86 185 6172 8600

Web: www.jiningjiaqing.com

